

MADA APPROVED STEEL NAILS SPIT HC6 -17

Technical Data Sheet

TDS-ACC-R57-Rev2 Spit HC6-17 - 2024



Product Description

Mada Approved Spit HC6-17 is high performance pin used with wiring accessories for drywall track fixing.

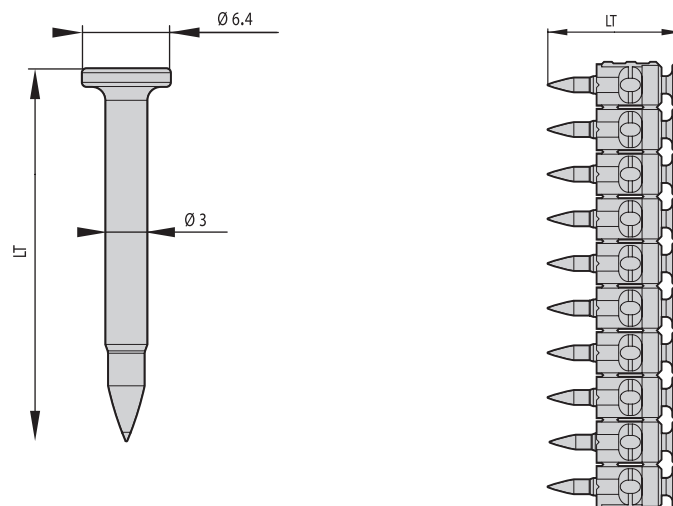
Field of Application

- Steel
- Lime sandstone
- Non-cracked concrete
- Rendered hollow block
- Rendered hollow brick
- Solid blocks
- Solid bricks

Product Characteristics

| Parameters | Details |
|--------------|------------------------|
| Material | Shank in Carbon Steel |
| Length (LT) | 17mm, 22mm, 27mm, 32mm |
| Zinc Coating | 10µm |
| Hardness | ≥ 56HRc |
| Tools | P800E - P800P / P800P+ |

Product Characteristics



[For More Info Please Sign In or Register](#)