

MADA

SPIT HIT M ANCHOR

Technical Data Sheet

TDS-ACC-R56-Rev2 Spit Hit M Anchor - 2024



Product Description

Mada Approved Spit Hit M Anchor is a hammer-set anchor for light duty fixings designed to provide a permanent anchorage.

Field of Application

- Insulation cladding.
- Profiles for thin coat external.
- Insulation systems.
- Drywall track.
- Wood.
- Flashing.
- Electrical accessories.
- Collar.

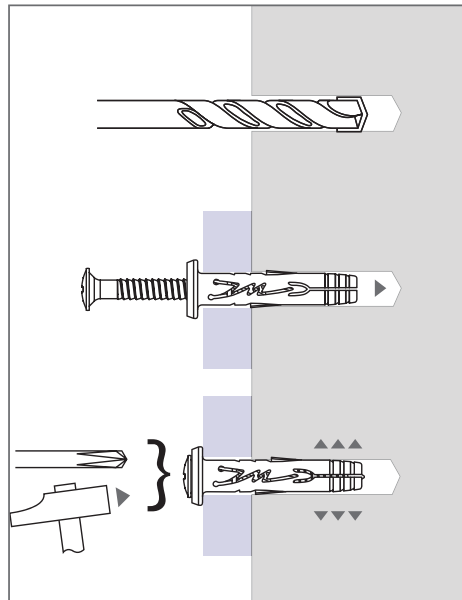
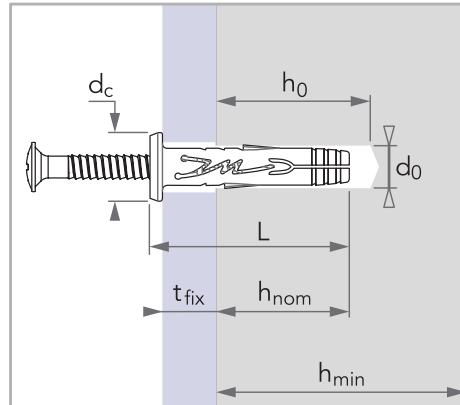
Product Characteristics

Anchor size	5X35/15 P	
Embedment depth (mm) h_{nom}	20	
Max. thickness of part to be fixed (mm) t_{fix}	15	
Drilling depth through part to be fixed (mm) L+8	45	
Drilling depth in base material (mm) h_0	30	
Drilling diameter (mm) d_0	05	
Min. thickness of base material (mm) h_{min}	100	
Cylinder head diameter (mm) d_c	09	
Total anchor length (mm) L	37	
Type of nail (mm)	PZ2	
Code	Zinc coated steel nail	050117
	Stainless steel A2 nail	-



TECHNICAL DATA SHEET

Installation



Materials

- Body: Polymid 6.
- Expansion Nail:
 - Zinc coated steel: FR 15 (5 μ m).
 - Stainless steel: A2.
- Screw head type: PZ2/PZ3.