

MADA SPIT HIT M ANCHOR

Technical Data Sheet

TDS-ACC-R56-Rev1 Spit Hit M Anchor - July 2022



Product Description

Mada Approved Spit Hit M Anchor is a hammer-set anchor for light duty fixings designed to provide a permanent anchorage.

Field of Application

Insulation cladding.
Profiles for thin coat external.
Insulation systems.
Drywall track.
Wood.
Flashing.
Electrical accessories.
Collar.

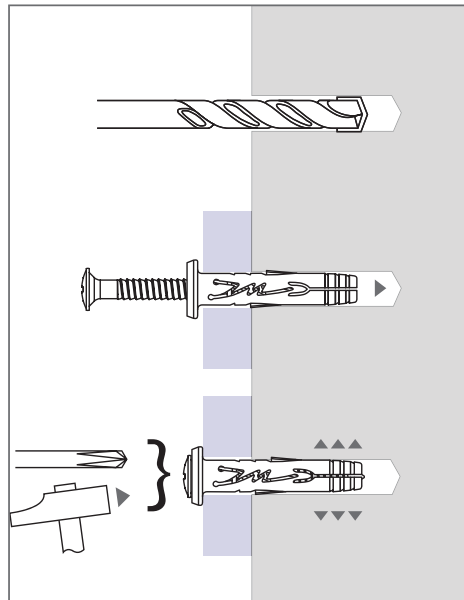
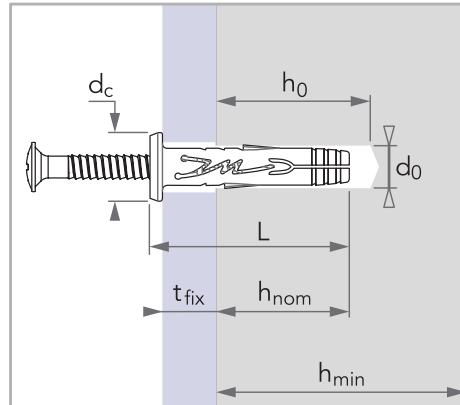
Product Characteristics

Anchor size		5X35/15 P
Embedment depth (mm) h_{nom}		20
Max. thickness of part to be fixed (mm) t_{fix}		15
Drilling depth through part to be fixed (mm) L+8		45
Drilling depth in base material (mm) h_0		30
Drilling diameter (mm) d_0		05
Min. thickness of base material (mm) h_{min}		100
Cylinder head diameter (mm) d_c		09
Total anchor length (mm) L		37
Type of nail (mm)		PZ2
Code	Zinc coated steel nail	050117
	Stainless steel A2 nail	-



TECHNICAL DATA SHEET

Installation



Materials

- Body: polyamid 6.
- Expansion Nail:
 - Zinc coated steel: FR 15 (5 μ m).
 - Stainless steel: A2.
- Screw head type: PZ2/PZ3.